

Plastic duplex strainer, type AMD55

The simplest way to protect pumps, spray nozzles, flow meters and similar equipment while working with corrosive liquids, is to install an amafiltergroup plastic strainer.

Unwanted particles are removed as the process media passes through a perforated or meshlined filter basket. The filter basket traps the unwanted particles while the process media flows freely.

If uninterrupted flow is required during cleaning or changing the filter basket, nothing beats the amafiltergroup plastic duplex strainer. The line never has to be shut down for cleaning or servicing the baskets. When one filter basket is full, the flow is diverted to the other filter basket by a simple movement of a single lever. Plastic three-way valves, an integral part of the unit, provide tight shut off.

No tools are required to remove, clean or replace the filter basket. The whole operation takes only a couple of minutes. A tight seal of the basket to the strainer body seat is assured by the handle which is pressed by the cover.



Features

- Uninterrupted flows
- External body threads
- Low pressure drop
- Wide choice of filter baskets (optional: stainless steel filter baskets)
- In-line or loop piping design
- True union connections
- Hand removable cover
- Integral, flat mounting base
- Viton® seals (optional: EPDM seals)
- Liquid displacement cover ensuring no liquid runs over the side when opening the filter

Product specifications

Materials

Housings : PVC or CPVC
Filter baskets : PVC, CPVC or stainless steel
Gaskets : Viton® (EPDM is optional)

Connections

½" - 2" : threaded, socket or flanged
2½" - 4" : socket or flanged

Operating pressure

Rated 10 bar at 20 °C

Filter baskets

- The ½" to 1" strainers can be ordered with a 1/32" or 1/16" perforated plastic filter basket.
- The 1½" and 2" strainers can be ordered with a 1/32", 1/16", 1/8" or 3/16" perforated plastic filter basket.
- The 3" and 4" strainers can be ordered with a 1/16", 1/8" or 3/16" perforated plastic filter basket.
- Stainless steel baskets for all size strainers are available in these perforations: 1/32", 3/64", 1/16", 5/64", 7/64", 1/8", 5/32", 3/16", ¼", 3/8", ½"

and in mesh sizes:

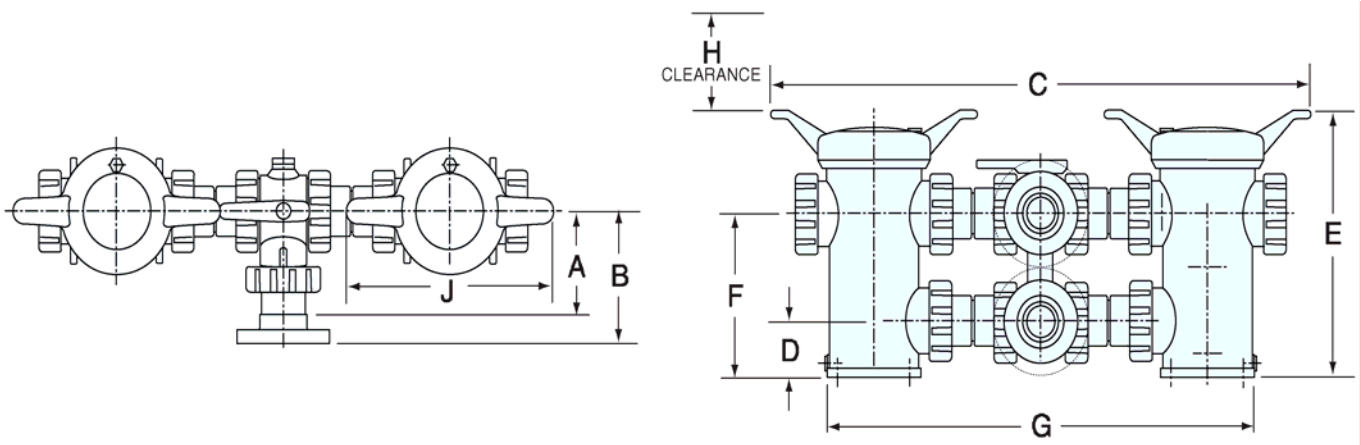
20, 40, 60, 80, 100, 200, 325.

amafiltergroup and CSS approach

amafiltergroup is serving the industry on a world wide basis with Consumables, Services and Systems. We can offer a wide range of filtration solutions, making the amafiltergroup approach very flexible, thus enabling us to meet the customer requirements precisely.



Plastic duplex strainer, type AMD55



Size	Dimensions [mm]									Empty weight [kg]	
	A	B	C	D	E	F	G	H	J	Thread / socket	Flange
1/2"	105	132	693	57	297	171	521	127	279	9	9.5
3/4"		135									
1"		143									
1 1/4"	152	189	897	83	394	241	711	274	343	18	20
1 1/2"		193									
2"		197									
2 1/2"	178	250	1128	123	566	377	904	376	406	38	40
3"		243									
4"		237					299			1207	

Note : Dimensions are for reference only. Use dimensional drawing for installation purposes. amafiltergroup reserves the right to make technical changes without giving prior notice.

Ordering code

AMD55	PV	2	F
-------	----	---	---

amafiltergroup type AMD55	Inlet / outlet connection No symbol = threaded (0.5 - 2") F = flanged (0.5 - 4") B = socket (0.5 - 4")
Material PV = PVC CP = CPVC	Inlet / outlet size [inch] 0.5 = 1/2" 0.75 = 3/4" 1 = 1" 1.25 = 1 1/4" 1.5 = 1 1/2" 2 = 2" 2.5 = 2.5" 3 = 3" 4 = 4"